

## LIA LABORATORY DECISION SHEET

Standard(s) (incl. year)	Subclause(s)	Enquiry No.	Year
IEC 60598-1:2014-A1:2017 EN 60598-1:2015-A1:2018	0.4.2 4.12.4	EF-1 LIA_01_2020	2020
		<b>Decision No.</b>	
		DS-1 LIA_01_2020	
Subject	Keywords		
Luminaires assembled by user	<ul style="list-style-type: none"> <li>- Luminaires assembled by user</li> <li>- Examples 1-2</li> <li>- DSH 0819</li> </ul>		
Question			
<p>Please see attached photographs and «user manuals».</p> <p>According to the «user manual» these luminaires have to be assembled by user.</p> <p>1. Can we accept luminaires assembled by user as shown on EXAMPLE 1 and EXAMPLE 2?</p> <p>2. Is clause 4.12.4 applicable for mechanical connections as follows:</p> <p>a) EXAMPLE 1: between base and metal pipe (step no. 2 of user manual);</p> <p>b) EXAMPLE 1: between two pipes (step no. 3 of user manual);</p> <p>c) EXAMPLE 2: between lampholder and metal pipe (step no. 1, number 1 in top image of user manual);</p> <p>d) EXAMPLE 2: between metal pipe and base – connection made by one screw (step no.1, number 2 in top image of user manual).</p>			
Decision			
<p>Such construction (as presented on attached photos) is not acceptable as cable is damaged during the assembly of the product.</p> <p>Self-assembled products can be accepted providing clear instruction how to assemble the product.</p> <p>No electrical connection shall be made by the end user including earth connection. Only plug and play connectors are allowed.</p> <p>Cables (internal or external) can't be damaged during the assembly of the product.</p> <p>Note: Mechanical connection between two different parts of the luminaire shall be reviewed according to 4.12.4</p>			
Explanatory Notes			



Based on the reply from CTL ETF5/OSM committee, most of the members decline such construction (OSM enquiry form 15/2019).

Date	Name	Signature
29/01/2020	Anton Borovy	

All our products are thoughtfully designed and expertly manufactured. So that you get the most out of your new light we offer the following guidelines to assist you.

**Contents**

- 1 x Base
- 1 x Shade

**Important Information**

- To prevent electrocution switch off at the mains supply before assembling or maintaining.
- Always be sure to use the correct type and wattage of bulbs as indicated on the fitting. Never exceed the wattage stated, this may cause your light fitting to overheat.
- When changing the bulb, always switch off the supply and allow the old bulb to cool down before handling. Dispose of bulbs carefully.
- The external flexible cable or cord of this luminaire cannot be replaced. If the cord is damaged the luminaire shall be destroyed.
- Ensure you have enough space for assembling your floor lamp safely.

**Before Starting**

Please read through these instructions before assembling product and retain for future reference. Keep all packaging until after successful installation.

**Assembly Instructions**

**Step 1**

Once unpacked, remove all packaging including plastic 'I' pieces supplied between columns (keep until successful installation).

**Step 2**

Screw lamp stem into base at point A in a clockwise direction and tighten to secure.

**Step 3**

Assemble the floor lamp column by screwing together the threaded sections at points B in a clockwise direction. Repeat for point C. While assembling pull excess flex carefully through the base of the floor lamp (use only the minimum force required to draw the cable through).

**Step 4**

Finish assembling the floor lamp column by screwing the top section in place at point D. Take caution with this step as you need to spin the top section around the rest of the column. While assembling pull excess flex carefully through the base of the floor lamp (use only the minimum force required to draw the cable through).

**Step 5**

If required, carefully tighten the cord restraint at point E using a flat head screwdriver.

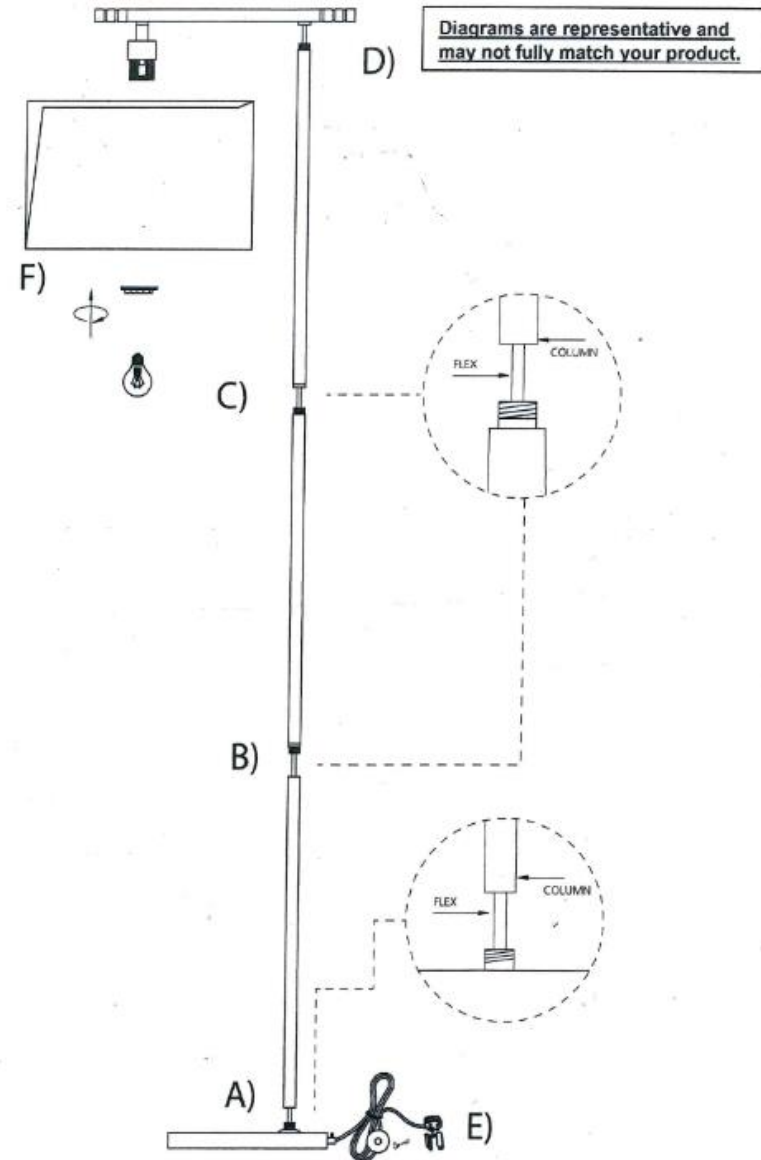
**Step 6**

At point F unscrew shade ring then attach & secure shade with shade ring.

**Step 7**

Fit light bulbs (not supplied)

Plug lamp into power socket with power off. Adjust to desired position before switching lamp on.



Thank you for purchasing this Dazzle crystal facet table lamp. Please read the instructions carefully before use to ensure safe and satisfactory operation of this product. Please keep these instructions for future reference.

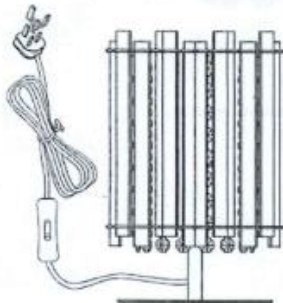
### Warnings!

The fitting is class II.  
This fitting should be fitted in accordance with IEE Regulations and the Building Regulations. If in any doubt, or where required by law, consult a competent person who is registered with an electrical self-certification scheme. Further information is available online or from your Local Authority.  
To prevent electric shock switch off at the mains supply before installing or maintaining this fitting. Ensure other persons cannot restore the electricity supply without your knowledge.  
If you are in any doubt, please consult a qualified electrician.  
Always use the correct type and wattage bulb. Never exceed the wattage stated.  
The flexible cable on this luminaire, if damaged, shall only be replaced by the Manufacturer or his service agent or a similar qualified person.  
**CAUTION! The bulb and surrounding parts can become hot during use.**

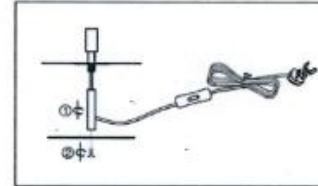
Do not cover. Keep away from curtains, bedding etc.  
Always route mains cable so it does not present a hazard (entrapment, tripping etc)  
Ensure that there are no twists or snags in the cable.  
Plug into the mains supply, switch on using the inline cord switch provided.  
If moving this lamp, always carry by holding the stand part.

### Care instructions

We recommend cleaning with a soft dry cloth.  
Do not use abrasive materials as these will damage the finish.  
Replace bulbs from John Lewis or established brand of the same type and compatibility.  
Indoors use only.

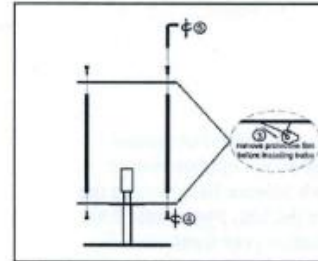


### Assembly



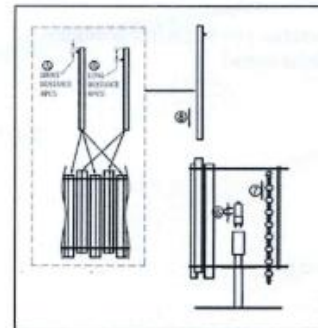
Ensure the house electricity supply is switched off at the fuse board.

**Step 1**  
Install fixture body onto round base by screws



**Step 2**  
Remove protective film on metal hoop, Install metal hoop onto fixture body as image shown

**Step 3**  
Fit the bulb type/ wattage (rated power) as indicated on the luminaires and as per and as indicated in specifications above.  
**The maximum power indicated must not be exceeded.**



**Step 4**  
Attach crystal chains onto shade.  
Fit glass rods C and D in an alternative pattern.  
To do this, simply slot crystal rods into upper frame and lower until the pin is resting on the frame. And the rod is located in the lower frame

**Step 5**  
Switch on the electricity supply at the fuse board.